

ELECTRONIC PROXIMITY LOCKING

by omnitec



# GAUDÍ



**OMNITEC** 

adapting to hotels



TÜV Rheinland®  
**CERT**  
ISO 9001

# GAUDÍ

## ■ MIFARE proximity system ■

MIFARE proximity opening technology together with a neat aesthetic consolidate in a lock made in high quality materials which is designed to satisfy the decorative needs of any living space.

STAINLESS STEEL  
AISI 304

13,56 Mhz   
PROXIMITY  
MIFARE

### opening systems



✓ PROXIMITY MIFARE

### access management

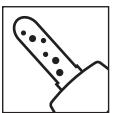


✓ GESTHOTEL



✓ SIMPLEX

### emergency opening



✓ MECHANICAL KEY  
Its use is shown when  
the lock is audited.

### fire resistance



✓ For certified EI-30 doors  
according to  
European Standard  
UNE-EN-1634-1: 2000



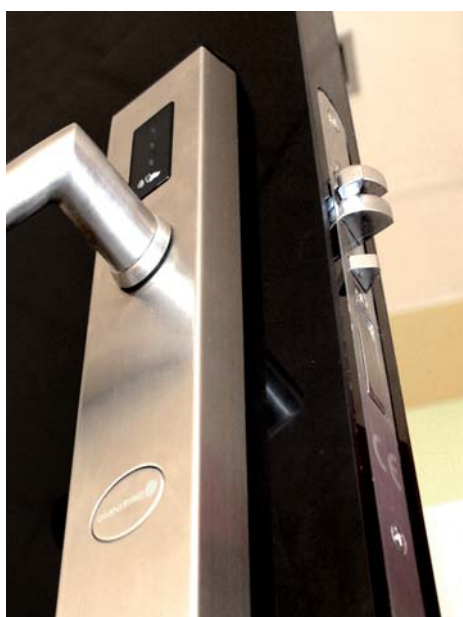
OMNITEC PRODUCT  
HERE 



MONTCALM HOTEL London (UK)  
Gaudí Proximity locks



## GAUDI “FIT IN” the electronic lock which adapts...



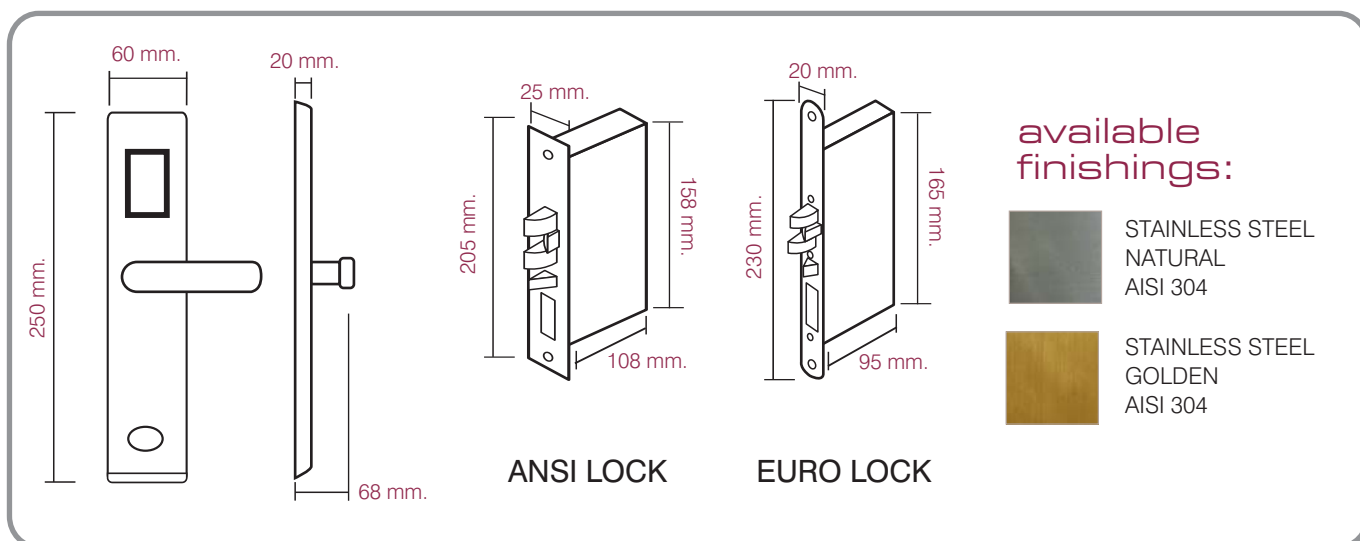
Our MiFare® Technology Fit In System, applied to GAUDI FIT IN lock, is specifically designed for hospitality applications, and has supposed an absolute revolution for hotels, offices and Resident Houses.

- Able to be fitted in all kind of doors and with all kind of mortises, in both new installations and to existing ones, requiring minimal investment in carpentry and assembly works.

- Can be installed in sliding aluminium and wooden doors ( IBEROSTAR CALA BARCA Hotel 4 \* ).

- Keeps the audit trail function when using the mechanical emergency opening.

- Utilizes the electronic locking optionally combined with the mechanical authomatic lock, for guestrooms privacy.



# MIFARE COMPLEMENTS:



## SMART ENERGY SAVERS

The MiFare® smart energy savers ensure real savings of electricity consumption, thereby contributing to environmental conservation.



## ACCESS CONTROLS

Omnitec offers MiFare® access control readers for common or restricted areas such as elevators, parking, VIP lounges, SPA and gym, and any others.



## e-LOCKERS

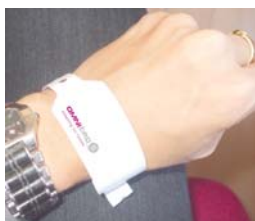
OMNITEC electronic lockers are equipped with the proximity technology MIFARE. There are 2 different kind of lockers:



- ✓ **STAFF LOCKERS**, metallic made, there are used to keep the personnel belongings during the working hours.
- ✓ **GYM AND SPA LOCKERS**, phenolic made high resistance against humidity, Those special ones are recommended to the use of hotel guests in order to keep their belongings safely whenever they are using Gym, Spa, Sauna....and other hotel areas.



## OPENING ACCESS WAYS: Cards, silicone and all-inclusive bracelets



### ✓ MIFARE BRACELET

Comfort for the openings and access control. Water resistant to assure its perfect working in spa, sauna, jacuzzi, swimming pools and other water sports activities. Different models available.