

# INSTRUCTION MANUAL

and

## SPARE PARTS



# GAUDI MODEL HOTEL LOCK

HOTEL:

ADDRESS:

TOWN:

TELEPHONE:

FAX:

E-MAIL:

OMNITEC DEALER:

CONTACT:

ADDRESS:

TOWN:

TELEPHONE:

FAX:

E-MAIL:

*ZARAGOZA, Month and year of manufacture.*

**1. CONNECTION TO BE DONE AND THE LOCK DIAGRAM**

Connection : 16-19 y 20-22

1. LOGO metal cover	7. M3 x 12 screws	13. Frame embellisher
2. Frontal embellisher	8. Mortise	14. box of bolts
3. Piece squad big	9. steel lateral mortise	15. Interior piece squad
4. Door	10. DIN7982 4,2x25	16. power conection
5. Piece latch	11. M4x6 screws	17. Interior embellisher
6. Batteries box	12. ST4,8 x25 screw	18. M5x55 screw

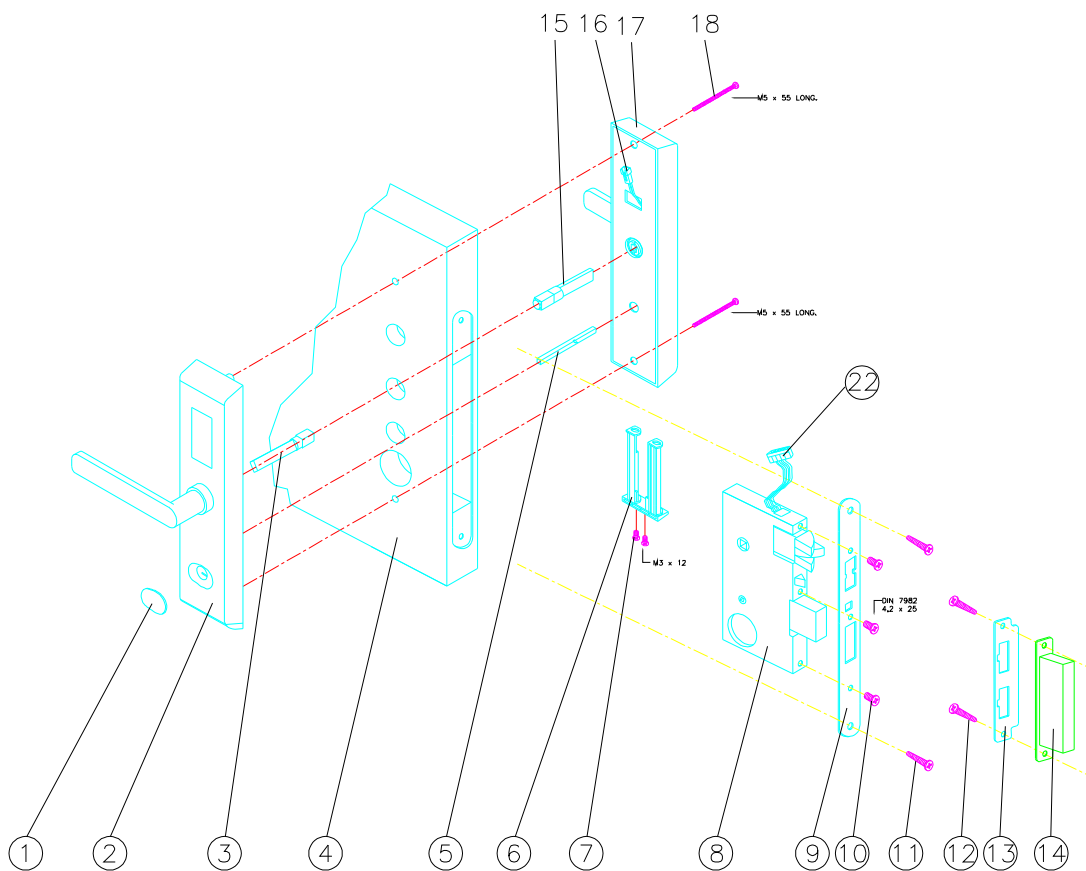


fig. 1

- 1- Enter the locking mechanism (8) at the door (4) and hold it with 2 screws (11). For the hole in the door ( side aisle ) pull plug ( 22 )
- 2- Connect the 22 in the connection 20 in Fig. 2 embellisher Front (2). Insert the piece (3, 15) in the hole-closing mechanism in the correct position.
- 3- About embellisher Front (2) the door to go through the hole in the connector (19) on the other side of the door will also will do the CAM on the lock of emergency in the locking mechanism, once connected to press the door trim and make a pressure not to lose the position.
- 4- Take embellisher later (17) and connect the connector 16 to 19 (which was released until now), this connection will be the outlet to the front, attention to the connection of these cables should be accurate and done with care.
- 5- About embellisher (17) as much as possible and insert the small piece (5) on the side of the trim and will coincide with the square hole that is in the locking mechanism.
- 6- Collecting the cable as much as possible to avoid pressure on the embellisher to remain in the interior in excellent condition.
- 7- Insert the screws (18) and secure with a screwdriver.
- 8- Once the assembly of the lock, check again that all the screws are attached (18, 7, 10 and 11) and latch and working properly.
- 9- Using the card for the operation of the lock.

CONNECTIONS

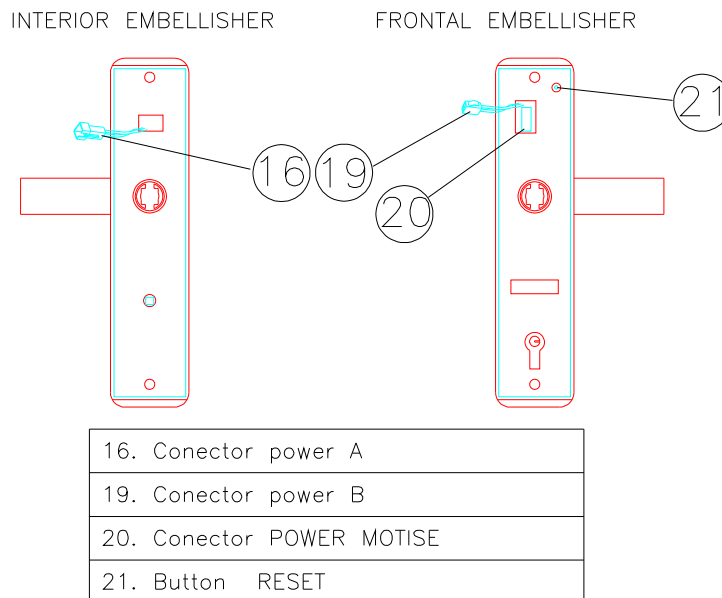


Fig. 2

**2. PARTS AND IMAGES OF THE GAUDI LOCK**

**FRONTAL EMBELLISHER**



**INTERIOR VIEW**



**INTERIOR EMBELLISHER**

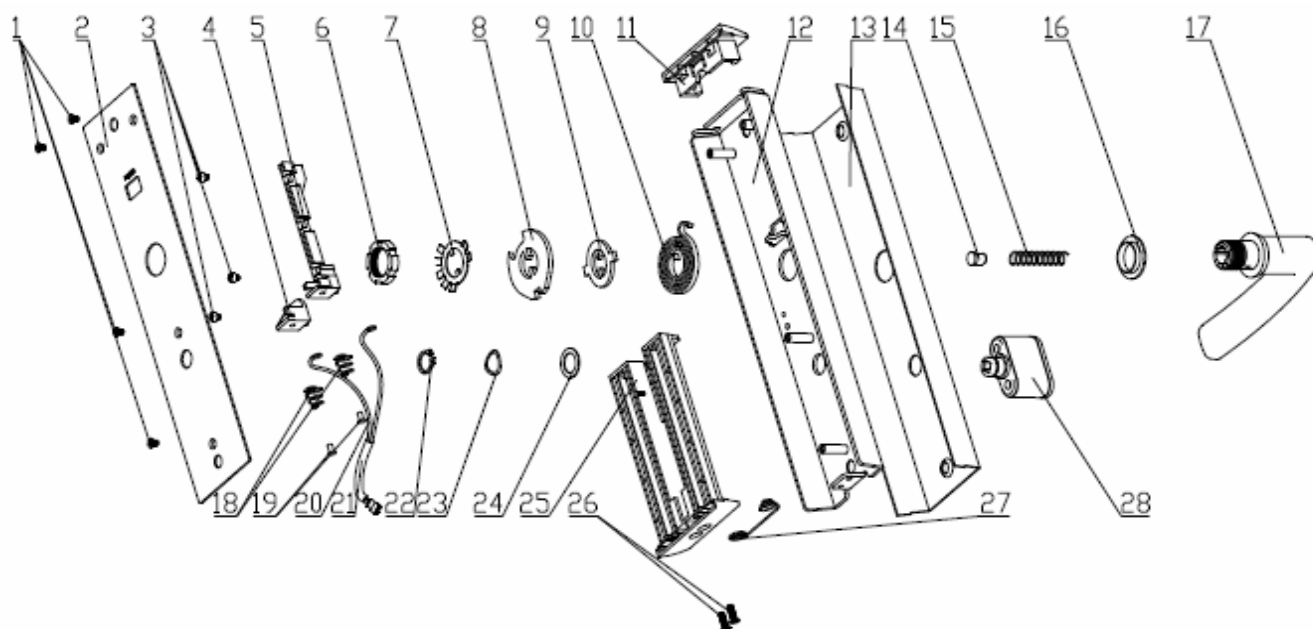


**INTERIOR VIEW**

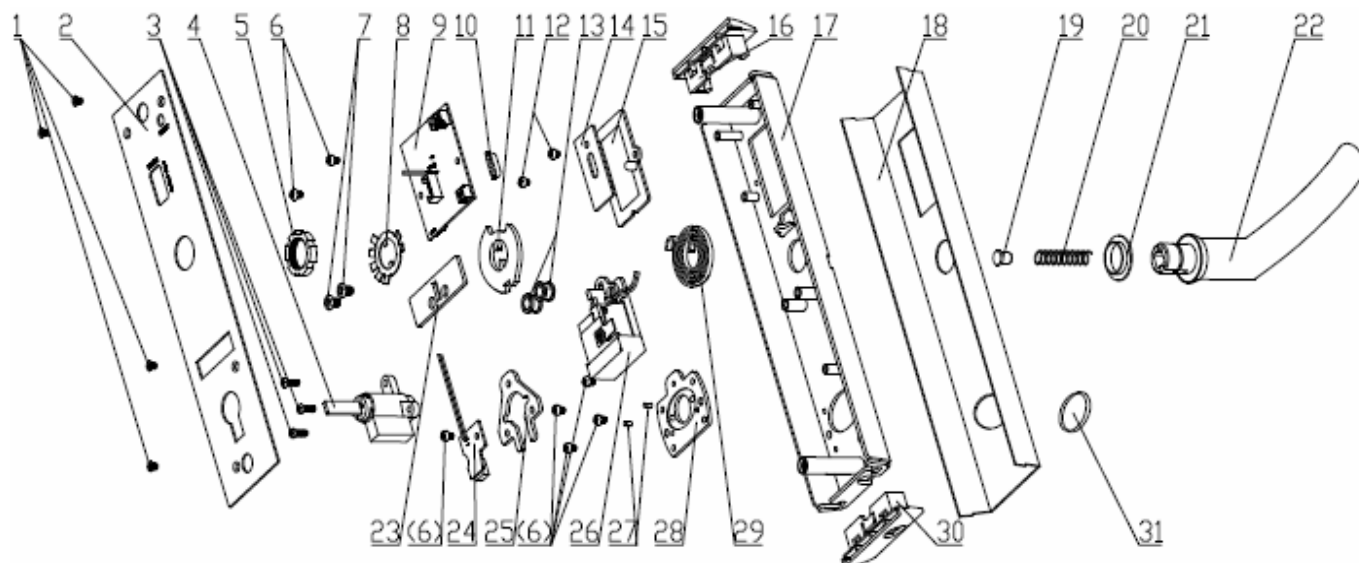


**MORTISE**



**3. SPARE PARTS / CODES OF GAUDI LOCK**
**INTERNAL FRONTAL**


Nº	CODIGO	DESCRIPCIÓN	REFERENCIA	UNITS	VALORES
1	959164	TORNILLO PAVONADO	2800-030040-FE56-01	4	M3x4
2	959165	CHAPA INTERIOR PROTECCIÓN FRON.INT.	20-71-2-03-W0000-FE56-00	1	
3	959166	TORNILLO CABEZA REDONDA	2800-030040-FE56-05	3	M3x4
4	959167	SOPORTE PLÁSTICO POLO SIMPLE	23-71-2-04-FE56-00	1	
5	959168	SOPORTE PLÁSTICO POLO COMPLETO	23-71-2-05-FE56-00	1	
6	959169	TUERCA PRESIÓN MANETA	20-2083-38-FE46-00	1	
7	959170	FRENO SEGURIDAD TUERCA MANETA	20-58-001-31-FE00-00	1	
8	959171	POSTIZO MAESTRO MANETA	20-2083-78/1A-FE46-00	1	
9	959172	POSTIZO SECUNDARIO MANETA	20-60-23-FE46-00	1	
10	959173	MUELLE ESPIRAL MANETA INT.	23-71-1-06-PL56-00	1	
11	959174	TAPA SUP. PLASTICO FRON. INTERIOR	20-2083-78/1A-FE46-00	1	
12	959175	CARCARA METALICA INT. FRON. INTERIOR	20-71-2-1-0-FE56-00	1	
13	959176	EMBELLECEDOR INOX 304 MATE GAUDI INT.	20-71-2-01-ST01-01	1	INOX 304
14	959177	TAPÓN PLÁSTICO INT. MANETA	23-213-11-11-PL00-00	1	
15	959178	MUELLE INTERIOR MANETA INT.	25-2083-10-FE56-00	1	
16	959179	ARANDELA SINTÉTICA MANETA	23-2083-13/2-PL00-00	1	
17	959180	MANETA	20-2083-3H-00-ST01-00	1	MOD.GAUDI
18	959181	MUELLES POLOS PORTAPILAS	25-231-17-ST00-00	2	
19	959182	TORNILLO SUJECCIÓN MUELLE PORTAPILAS	2801-025050-CU45-29	2	
20	959183	CABLE PROLONGACIÓN PORTAPILAS	2702-71-X-1-00	1	
21	959184	CONJUNTO CABLE + CONECTOR PORTAPILAS	2704-040120-PL56-00	1	
22	959185	GRUPILLA PRESIÓN	2806-110-FE56-36	1	d4x120
23	959186	ARANDELA TENSOR	2807-110-FE56-22	1	
24	959187	ARANDELA SIMPLE	20-2083-14/1-PL57-00	1	
25	959188	PORTAPILAS PLÁSTICO	23-71-2-02-FE56-00	1	
26	959189	TORNILLO PAVONADO METRICA	2800-030120-FE56-01	2	M3x12
27	959190	MUELLE PORTAPILAS INFERIOR	25-71-2-06-ST00-00	1	
28	959191	EMBELLECEDOR PESTILLO INTERIOR	101-2083-17A-00-24-00	1	
29	959158	FRONTAL COMPLETO INTERIOR GAUDI INOX.		1	

**EXTERNAL FRONTAL**


Nº	CODIGO	DESCRIPCIÓN	REFERENCIA	UNITS	VALORES
1	959164	TORNILLO PAVONADO	2800-030040-FE56-01	4	M3x4
2	959192	CHAPA INTERIOR PROTECCIÓN FRON. EXT.	20-71-1-04-W0000-FE56-00	1	
3	959196	TORNILLO CABEZA REDONDA	2800-030080-FE56-05	3	M3x8
4	959193	BOMBÍN CERRADURA EMERGENCIA	22-2083-27D-CU00-09	1	A3
4.1	959194	BOMBÍN CERRADURA EMERGENCIA	22-2083-27D-CU00-09	1	A2
4.2	959195	BOMBÍN CERRADURA EMERGENCIA	22-2083-27D-CU00-09	1	A1
5	959169	TUERCA PRESIÓN MANETA	20-2083-38-FE46-00	1	
6	959164	TORNILLO PAVONADO	2800-030040-FE56-05	7	M3x4
7	959198	TORNILLO CABEZA REDONDA	2800-040060-FE45-08	2	M4x6
8	959170	FRENO SEGURIDAD TUERCA MANETA	20-58-001-31-FE00-00	1	
9	953805	CIRCUITO MODULO RF-GAUDI	2700-71M-Z01A-T0906-00	1	
10	959197	GUIA PLÁSTICO LEDS	23-2083-A-27-PL56-00	1	
11	959171	POSTIZO MAESTRO MANETA	20-2083-78/1A-FE46-00	1	
12	959212	TORNILLO CABEZA REDONDA	2800-030030-FE56-05	2	M3x3
13	959199	SOPORTE METALICO REDONDO MOTOR	24-CL-1-11-FE46-00	2	
14	959200	STICK LEDS	430-2083-A-17/4-1-00	1	
15	959201	EMBELLECEDOR PLASTICO ANTENA FRONTAL	23-71-1-09-PL00-00	1	
16	959202	TAPA SUP. PLASTICO FRON. EXTERIOR	23-71-1-06-PL56-00	1	
17	959203	CARCASA METALICA INT. FRON. EXTERIOR	20-71-1-1-0-FE56-00	1	
18	959204	EMBELLECEDOR INOX 304 MATE GAUDI EXT.	20-17-1-01-ST01-01	1	
19	959177	TAPÓN PLÁSTICO INT. MANETA	23-213-11-11-PL00-00	1	
20	959178	MUELLE INTERIOR MANETA	25-2083-10-FE56-00	1	
21	959179	ARANDELA SINTÉTICA MANETA	23-2083-13/2-PL00-00	1	
22	959180	MANETA	20-2083-3H-00-ST01-00	1	MOD.GAUDI
23	959205	CHAPA SOPORTE PESTILLO MOTOR	20-71-1-02-FE46-00	1	
24	959155	CIRCUITO CON CONECTOR AUDIT GAUDI MINI USB	2707-71-12-01	1	
25	959207	SOPORTE BOMBÍN CERR. EMERGENCIA	20-71-1-05-FE46-00	1	
26	959157	MOTOR COMPLETO CON SOPORTE	100-CL-1-00-00-14	1	
27	959208	PASADOR PORTA-CERR. EMERGENCIA	21-69-01-21-fe45-00	2	
28	959209	SOPORTE PLÁSTICO CERR. EMERGENCIA	20-71-1-03-FE45-00	1	
29	959210	MUELLE INTERIOR MANETA EXT.	25-2083-35-FE56-00	1	
30	959211	TAPA INF. PLÁSTICO FRON. EXT.	23-71-1-07-PL56-00	1	
31	959152	TAPA EMBELLECEDOR OMNITEC CERRADURA EMERGENCIA	20-2083-40B/1-W0002-ST01-00	1	
32	959159	FRONTAL COMPLETO EXTERIOR GAUDI INOX		1	