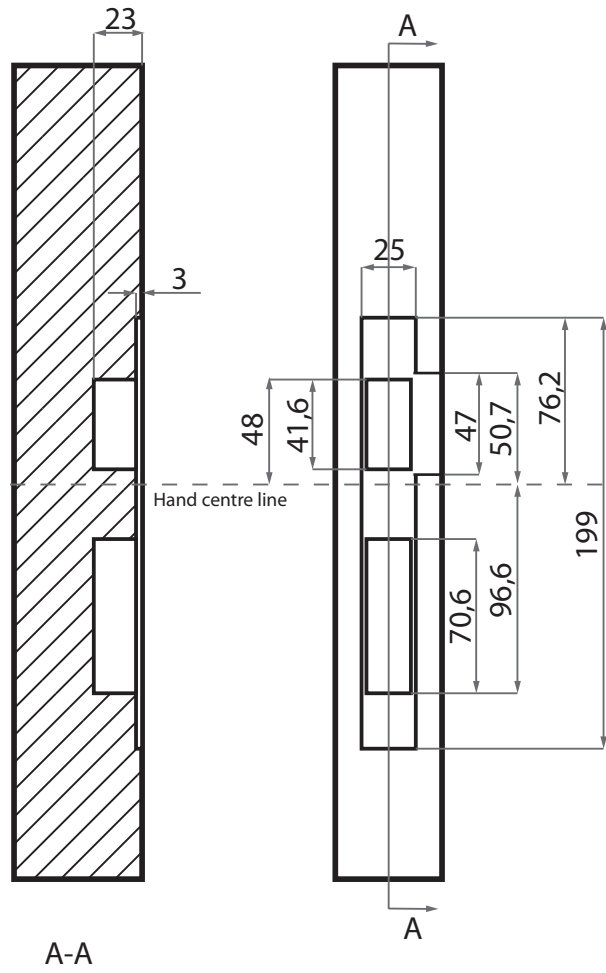


Frame drilling template



Door drilling template mode for 5500 (Mortise W)

