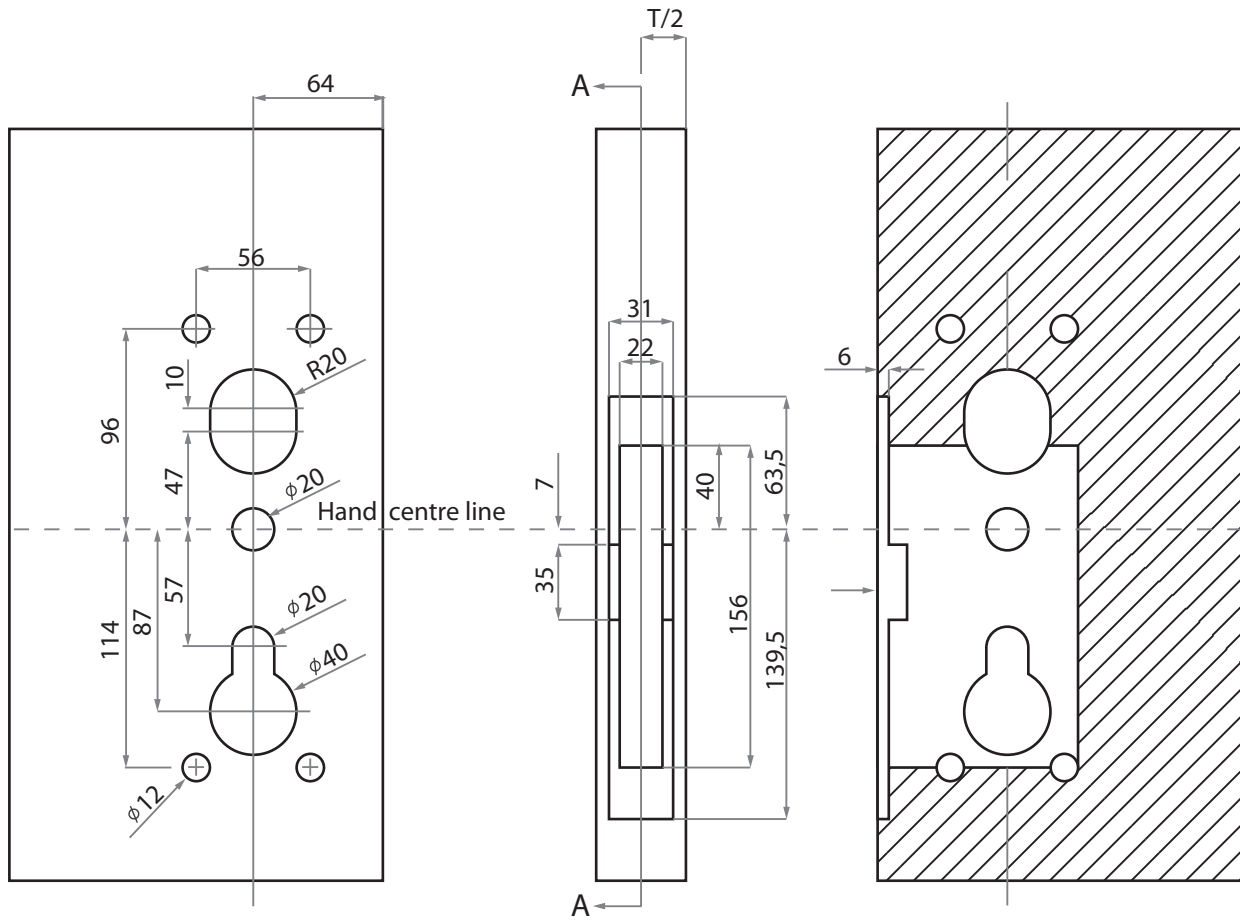


# Door drilling template for Model 1800# (Mortise B)



# Frame drilling template

